

52KHz 60V 3A Buck DC to DC Converter

XL2576HVT

Features

- Operating Voltage: 4.5V~50V
- Adjustable, 5.0V and 12V Versions
- Output Adjustable from 1.23V to 45V
- Maximum Duty Cycle 90%
- Feedback Voltage Accuracy $\pm 1.5\%$
- Fixed 52KHz Switching Frequency
- 3A Constant Output Current Capability
- Internal Optimize HV Power Transistor
- High efficiency up to 90%
- Excellent line and load regulation
- TTL shutdown capability
- Built in current limit protection function
- Temperature Grade 1: -40°C to 125°C
Ambient Operating Temperature Range
- Device HBM ESD Classification Level Class3B
- Available in TO220-5L package

General Description

The XL2576HVT is a 52 KHz fixed frequency buck DC/DC converter, capable of driving a 3A load with high voltage, high efficiency. The XL2576HVT supports wide input operating voltage range of 4.5V ~ 50V and a maximum duty cycle of 90% output. A built-in loop compensation module reduces components in the system, lowering power system cost and reducing printed circuit board space. The XL2576HVT is available in adjustable, fixed 5.0V and 12V versions. The XL2576HVT has built-in current limit protection and so on.

Applications

- Automotive Electronics
- Industrial Control
- Networking Equipment
- Internet of Things

Typical application schematic

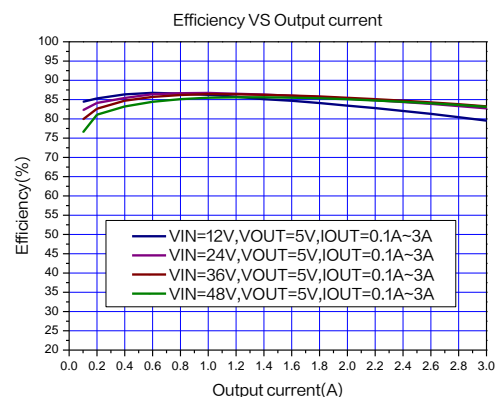
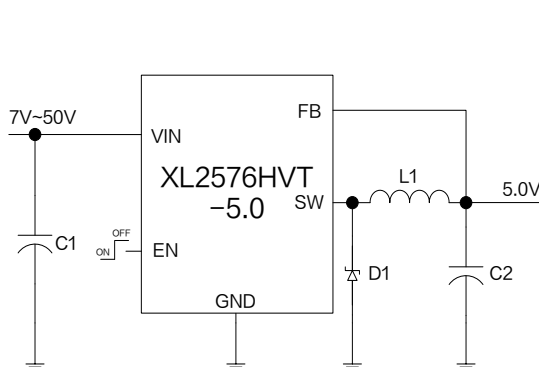


Figure1.XL2576HVT-5.0 Typical application schematic and efficiency curve

Pin Configurations

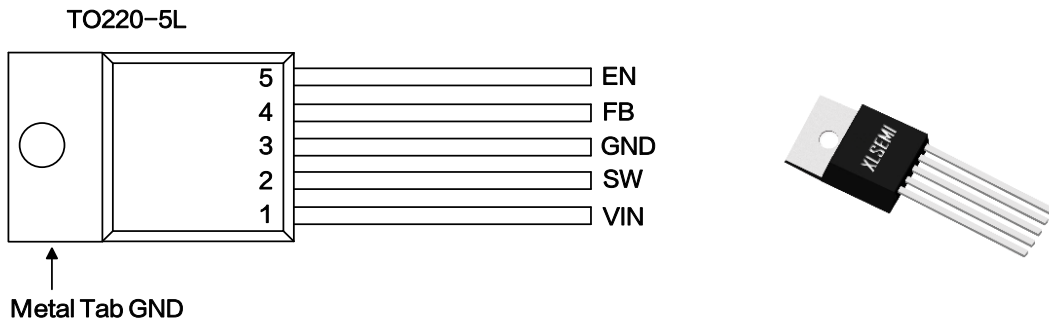


Figure2. Pin Configuration of XL2576HVT

Table 1. Pin Description

Pin Number	Pin Name	Description
1	VIN	Supply Voltage Input Pin. XL2576HVT DC operating voltage range from a 4.5V to 50V. Bypass VIN to GND with a suitably large capacitor to eliminate noise on the input.
2	SW	Power Switch Output Pin (SW). Output is the switch node that supplies power to the output.
3	GND	Ground Pin.
4	FB	Feedback Pin (FB). Through an external resistor divider network, detects the output voltage for adjustment, with an adjustable version reference voltage of 1.23V.
5	EN	Enable Pin. Drive EN pin low to turn on the device, drive it high to turn it off. Floating is default low.

Ordering Information

Order Information	Marking ID	Package Type	Eco Plan	Packing Type Supplied As
XL2576HVT-ADJE1	XL2576HVT-ADJE1	TO220-5L	RoHS & HF	50 Units Per Tube/ 1000 Units Per Box
XL2576HVT-5.0E1	XL2576HVT-5.0E1	TO220-5L	RoHS & HF	50 Units Per Tube/ 1000 Units Per Box
XL2576HVT-12E1	XL2576HVT-12E1	TO220-5L	RoHS & HF	50 Units Per Tube/ 1000 Units Per Box

Function Block

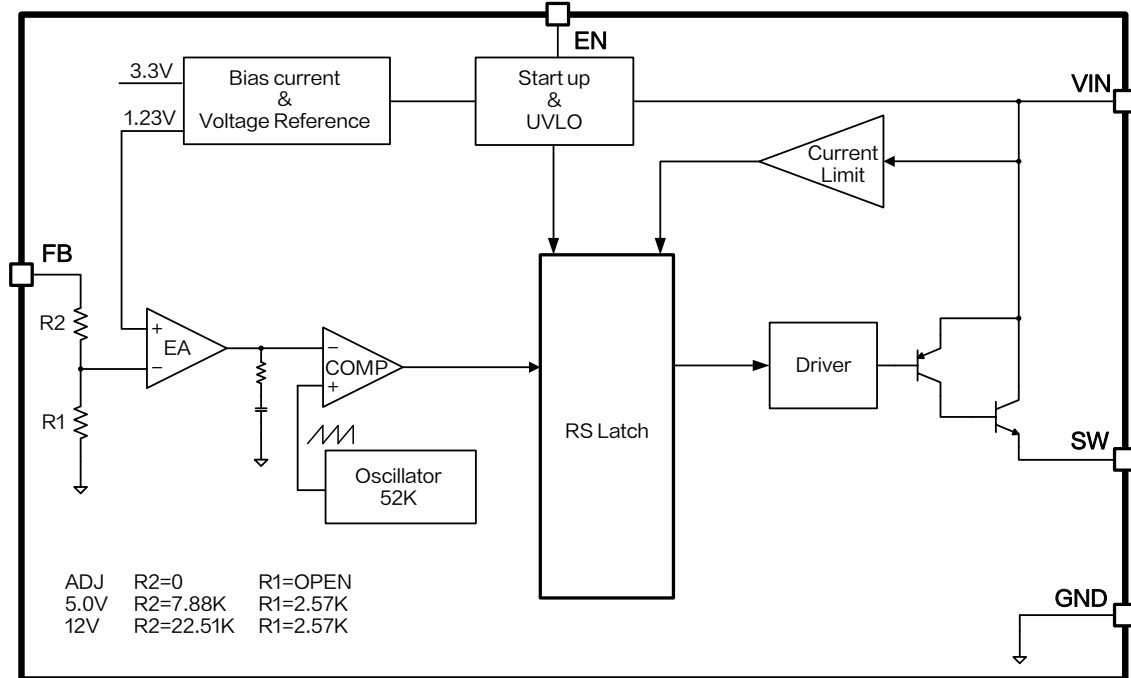


Figure3. Function Block Diagram of XL2576HVT

Absolute Maximum Ratings (Note1)

Parameter	Symbol	Value	Unit
Input Voltage	V_{IN}	-0.3~60	V
Feedback Pin Voltage	V_{FB}	-0.3~20	V
EN Pin Voltage	V_{EN}	-0.3~7	V
Output Switch Pin Voltage	V_{SW}	-0.3~ V_{IN}	V
Power Dissipation	P_D	Internally limited	mW
Thermal Resistance (TO220-5L) (Junction to Ambient, No Heatsink, Free Air)	R_{JA}	30	°C/W
Operating Junction Temperature	T_J	-40~150	°C
Storage Temperature	T_{STG}	-65~150	°C
Lead Temperature (Soldering, 10 sec)	T_{LEAD}	260	°C
ESD (HBM)		> 8000	V

Note1: Stresses greater than those listed under Maximum Ratings may cause permanent damage to the device. This is a stress rating only and functional operation of the device at these or any other conditions above those indicated in the operation is not implied. Exposure to absolute maximum rating conditions for extended periods may affect reliability.

52KHz 60V 3A Buck DC to DC Converter

XL2576HVT

XL2576HVT –ADJ Electrical Characteristics

T_A = 25°C; System parameters test circuit figure4 and figure6, unless otherwise specified.

Symbol	Parameter	Test Condition	Min.	Typ.	Max.	Unit
V _{FB}	Feedback Voltage	V _{IN} = 12V, V _{OUT} = 5.0V I _{OUT} = 0.5A	1.212	1.23	1.248	V
η	Efficiency	V _{IN} = 12V, V _{OUT} = 5.0V I _{OUT} = 2A	–	83.4	–	%
η	Efficiency	V _{IN} = 24V, V _{OUT} = 15V I _{OUT} = 1A	–	93.3	–	%

XL2576HVT –5.0 Electrical Characteristics

T_A = 25°C; System parameters test circuit figure8, unless otherwise specified.

Symbol	Parameter	Test Condition	Min.	Typ.	Max.	Unit
V _{OUT}	Output Voltage	V _{IN} = 12V I _{OUT} = 0.5A	4.925	5.0	5.075	V
η	Efficiency	V _{IN} = 12V, V _{OUT} = 5.0V I _{OUT} = 2A	–	83.4	–	%

XL2576HVT –12 Electrical Characteristics

T_A = 25°C; System parameters test circuit figure10, unless otherwise specified.

Symbol	Parameter	Test Condition	Min.	Typ.	Max.	Unit
V _{OUT}	Output Voltage	V _{IN} = 24V I _{OUT} = 0.25A	11.82	12	12.18	V
η	Efficiency	V _{IN} = 24V, V _{OUT} = 12V I _{OUT} = 2A	–	91.3	–	%

52KHz 60V 3A Buck DC to DC Converter

XL2576HVT

Electrical Characteristics (DC Parameters)

$T_A = 25^\circ\text{C}$, $V_{IN}=12\text{V}$, $V_{EN}=0\text{V}$, System parameters test circuit figure4, unless otherwise specified.

Parameters	Symbol	Test Condition	Min.	Typ.	Max.	Unit
Operating Voltage	V_{IN}		4.5		50	V
Shutdown Supply Current	I_S	$V_{EN}=2\text{V}$		46	100	μA
Quiescent Supply Current	I_Q	Note2		1.3	2.0	mA
Oscillator Frequency	F_{OSC}		42.8	52	57.2	KHz
Switch Current Limit	I_L	$V_{FB}=0\text{V}$		3.4		A
EN Pin Threshold Voltage	V_{EN_H}	High (Regulator OFF)	1.4			V
	V_{EN_L}	Low (Regulator ON)			0.8	V
EN Pin Current	I_{EN}	$V_{EN}=2.0\text{V}$		5		μA
Output Saturation Voltage	V_{CE}	$V_{FB}=0\text{V}$ $I_{OUT}=2\text{A}$		1.1	1.3	V
Max. Duty Cycle	D_{MAX}	$V_{FB}=0\text{V}$		90		%

Note 2: In the adjustable and fixed 5.0V versions, $V_{FB}=10\text{V}$; In the fixed 12V version, $V_{FB}=15\text{V}$.

Typical System Application Schematic for ADJ Version

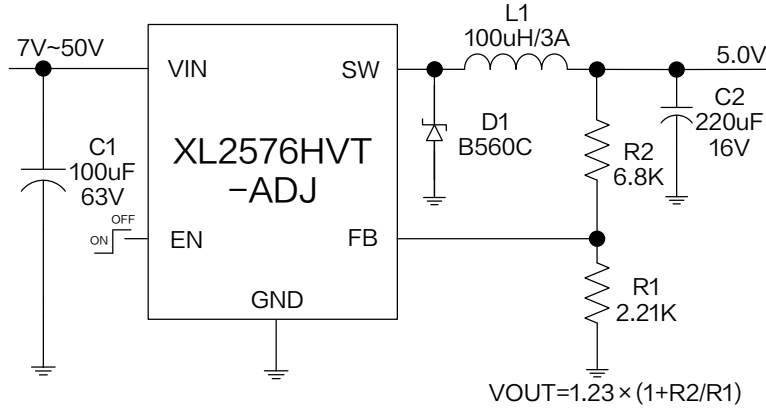


Figure4. XL2576HVT-ADJ System Parameters Test Circuit($V_{OUT}=5.0V$)

Typical System Application Transfer Efficiency

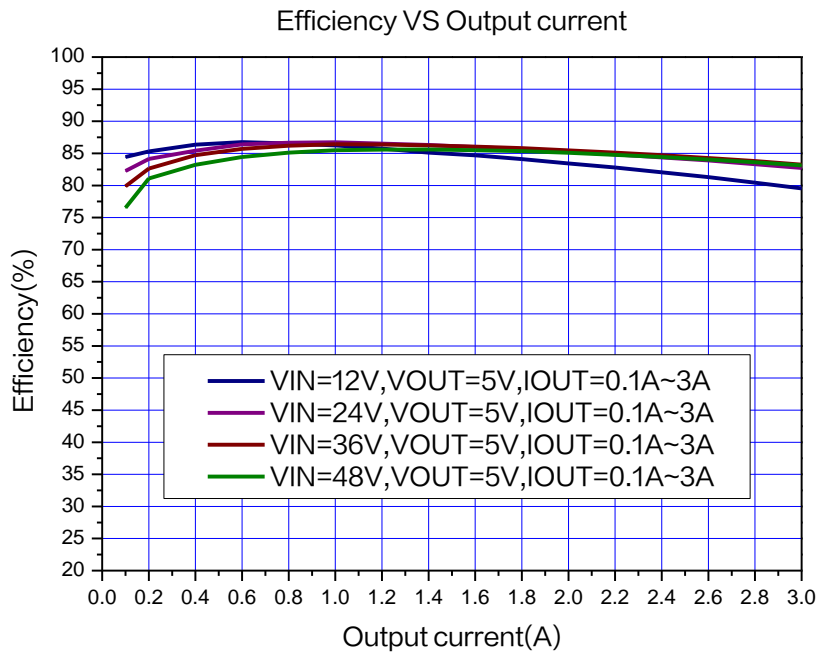


Figure5. XL2576HVT-ADJ System Efficiency Curve

52KHz 60V 3A Buck DC to DC Converter XL2576HVT

Typical System Application Schematic for ADJ Version

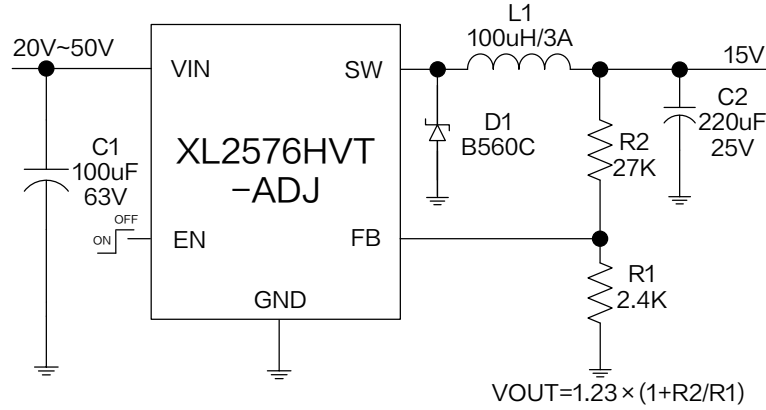


Figure6. XL2576HVT-ADJ System Parameters Test Circuit($V_{OUT}=15V$)

Typical System Application Transfer Efficiency

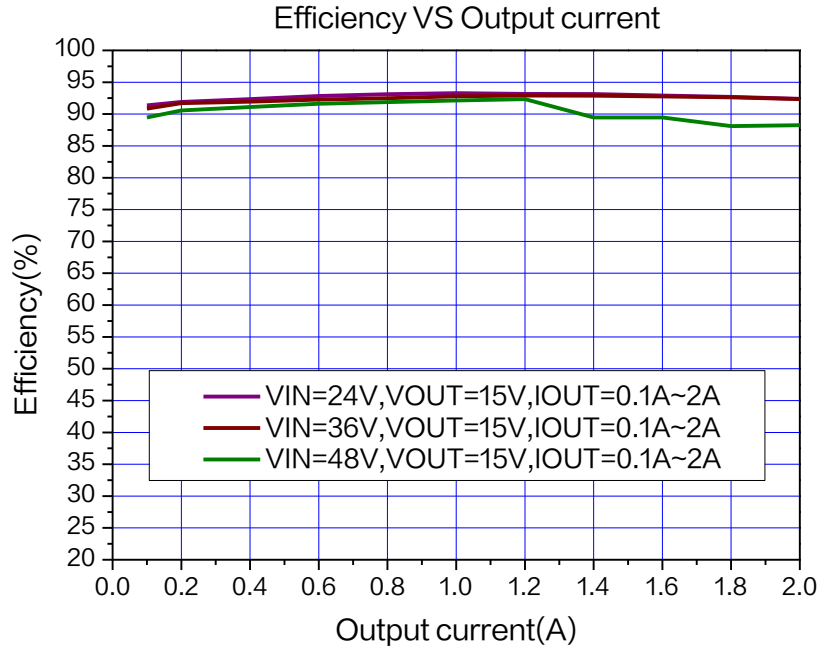


Figure7. XL2576HVT-ADJ System Efficiency Curve

Typical System Application Schematic for 5.0V Version

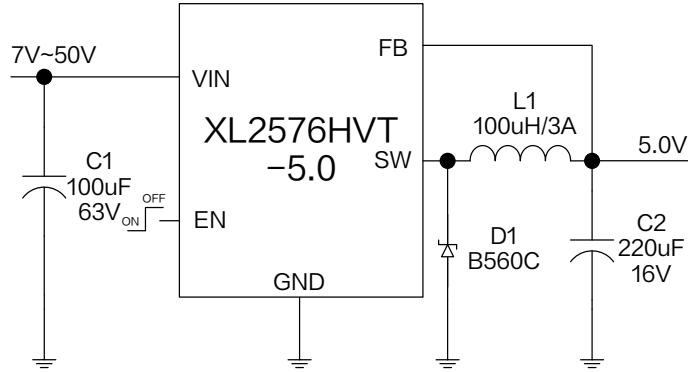


Figure8. XL2576HVT-5.0 System Parameters Test Circuit

Typical System Application Transfer Efficiency

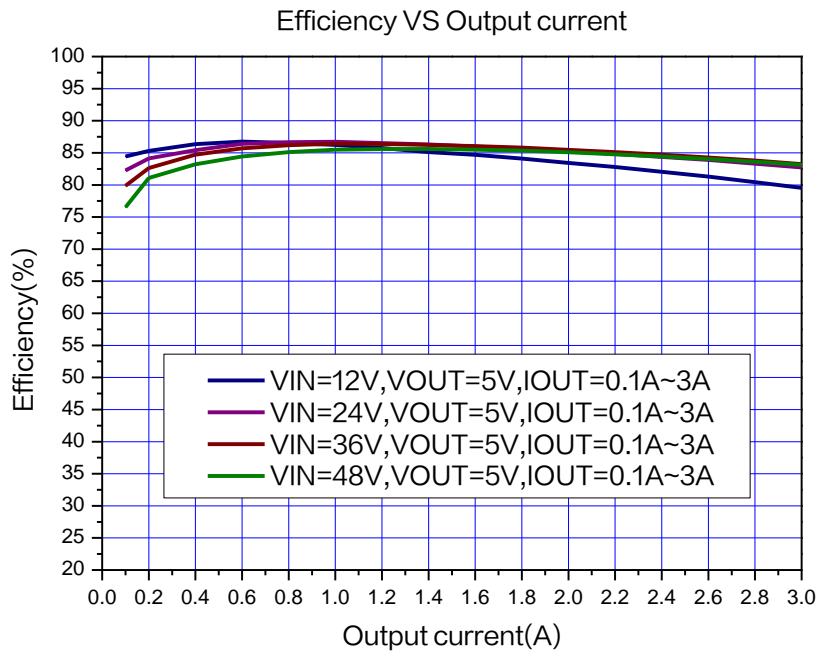


Figure9. XL2576HVT-5.0 System Efficiency Curve

Typical System Application Schematic for 12V Version

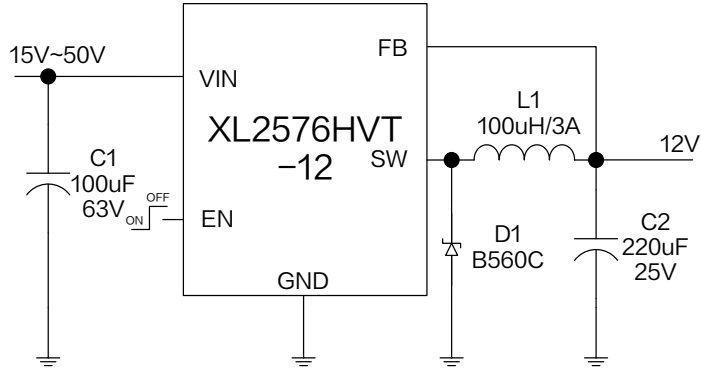


Figure10. XL2576HVT-12 System Parameters Test Circuit

Typical System Application Transfer Efficiency

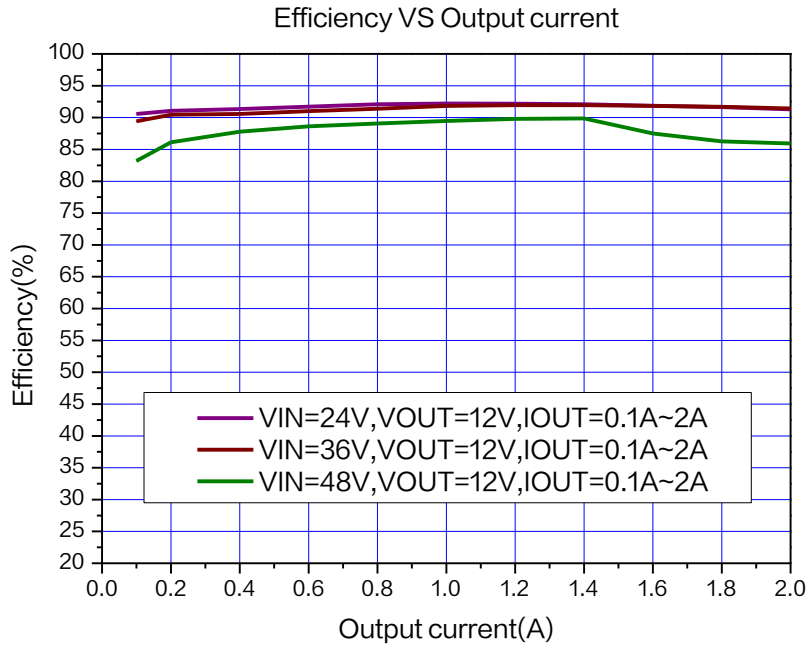


Figure11. XL2576HVT-12 System Efficiency Curve

Typical Characteristics

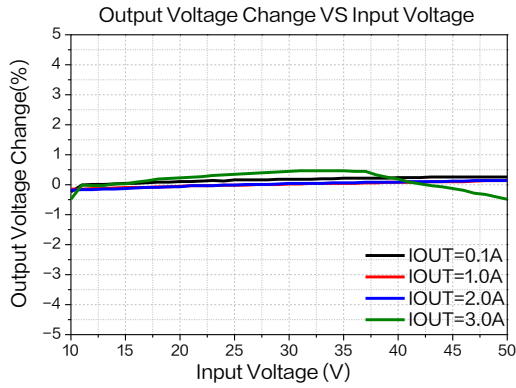


Figure12.Line Regulation

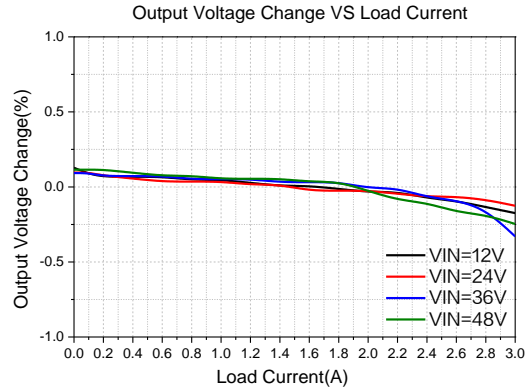


Figure13.Load Regulation

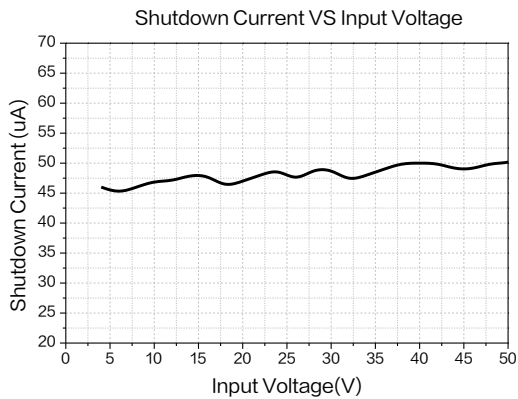


Figure14.Shutdown Current

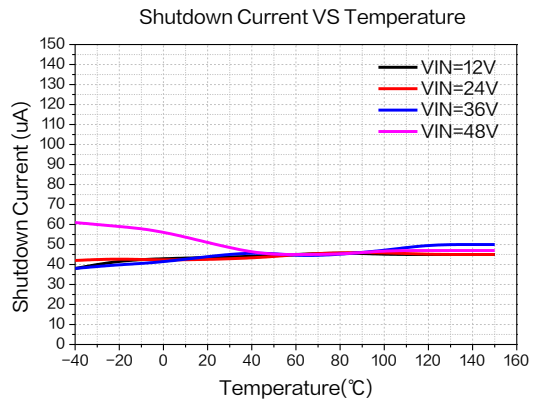


Figure15.Shutdown Current

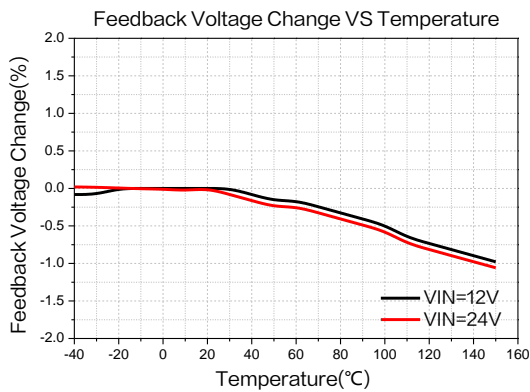


Figure16.Feedback Voltage Regulation

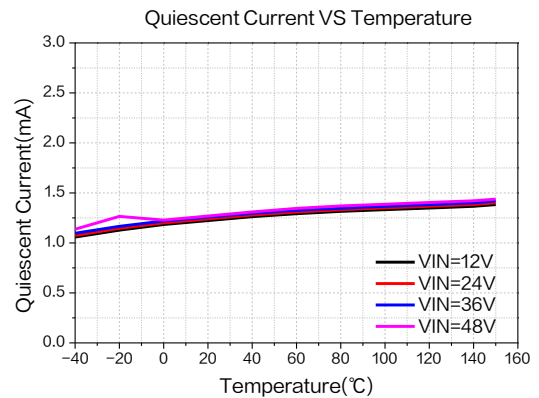


Figure17. Quiescent Current

52KHz 60V 3A Buck DC to DC Converter

XL2576HVT

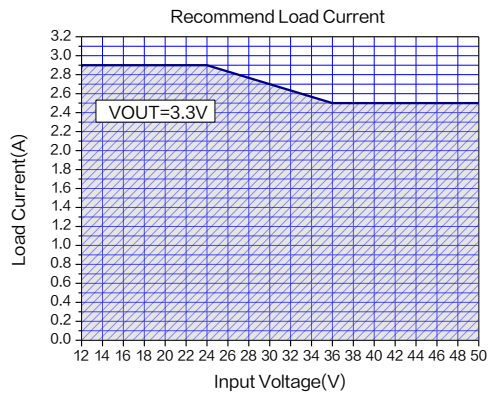


Figure18.Max Output Current
(V_{OUT}=3.3V, T_A=25°C)

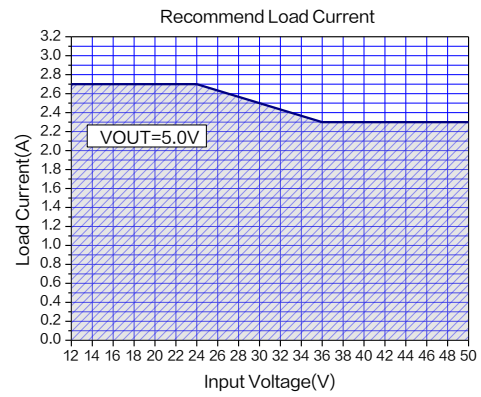


Figure19.Max Output Current
(V_{OUT}=5.0V, T_A=25°C)

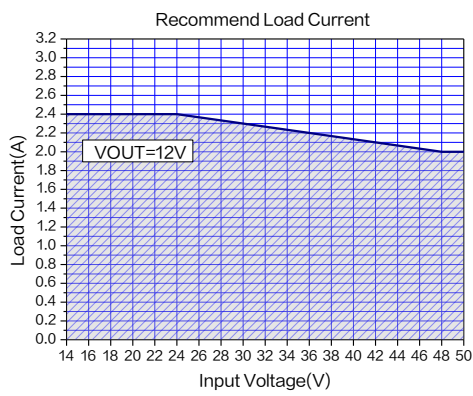


Figure20.Max Output Current
(V_{OUT}=12V, T_A=25°C)

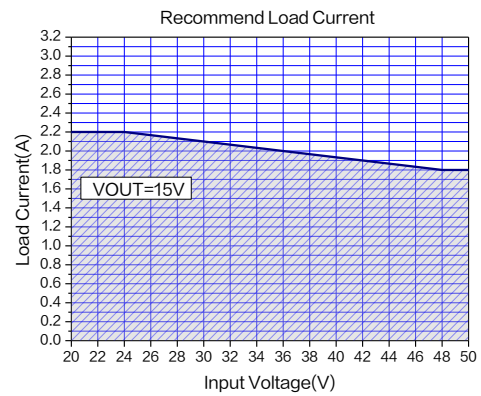


Figure21.Max Output Current
(V_{OUT}=15V, T_A=25°C)

52KHz 60V 3A Buck DC to DC Converter

XL2576HVT

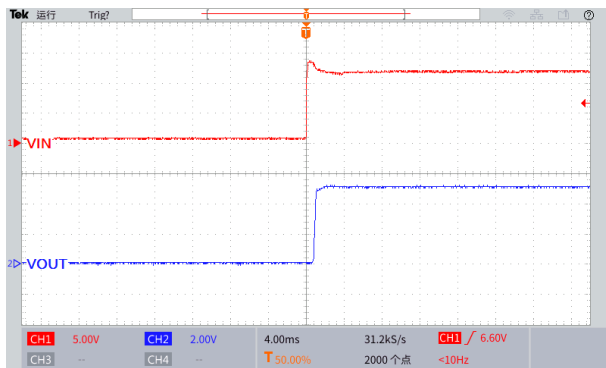


Figure22. Start-Up Characteristic
($V_{IN}=12V$, $V_{OUT}=5.0V$, $I_{OUT}=0.1A$)

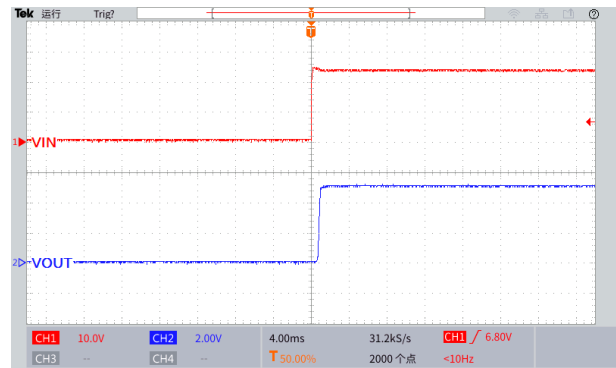


Figure23. Start-Up Characteristic
($V_{IN}=24V$, $V_{OUT}=5.0V$, $I_{OUT}=0.1A$)

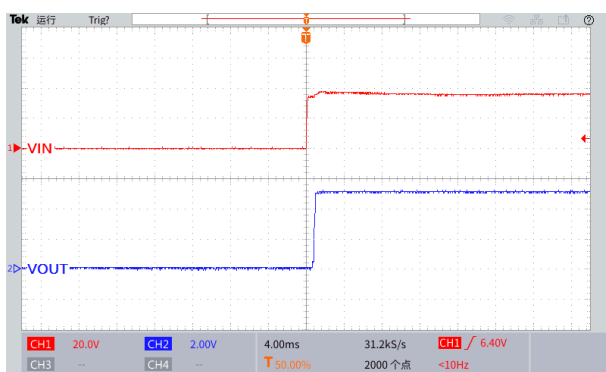


Figure24. Start-Up Characteristic
($V_{IN}=36V$, $V_{OUT}=5.0V$, $I_{OUT}=0.1A$)

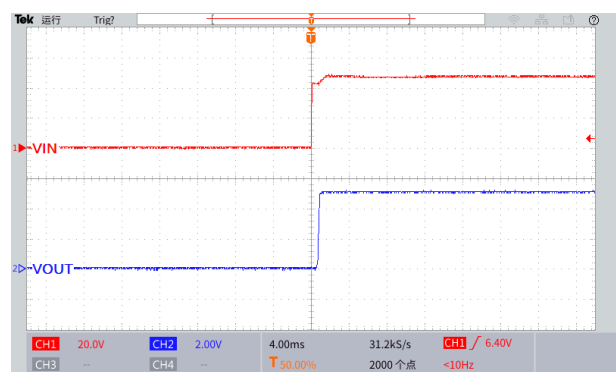


Figure25. Start-Up Characteristic
($V_{IN}=48V$, $V_{OUT}=5.0V$, $I_{OUT}=0.1A$)



Figure30. Load Transient Response
($V_{IN}=12V$, $V_{OUT}=5.0V$, $I_{OUT}=0.1$ to $1A$)

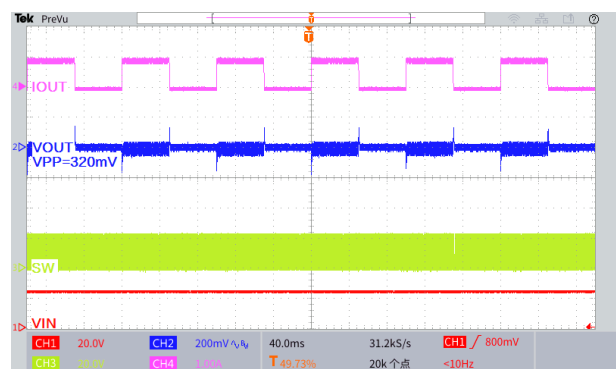


Figure31. Load Transient Response
($V_{IN}=24V$, $V_{OUT}=5.0V$, $I_{OUT}=0.1$ to $1A$)

52KHz 60V 3A Buck DC to DC Converter

XL2576HVT

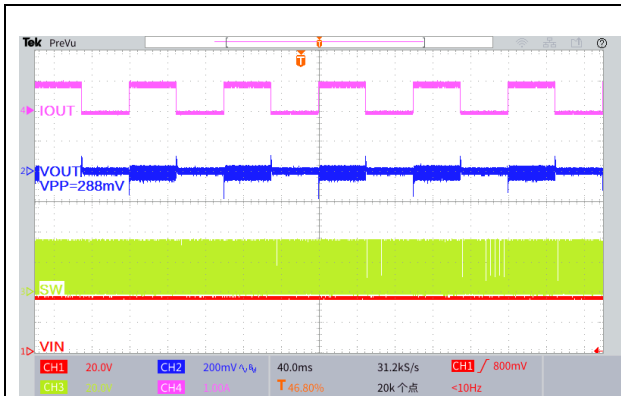


Figure32. Load Transient Response
($V_{IN}=36V$, $V_{OUT}=5.0V$, $I_{OUT}=0.1$ to $1A$)

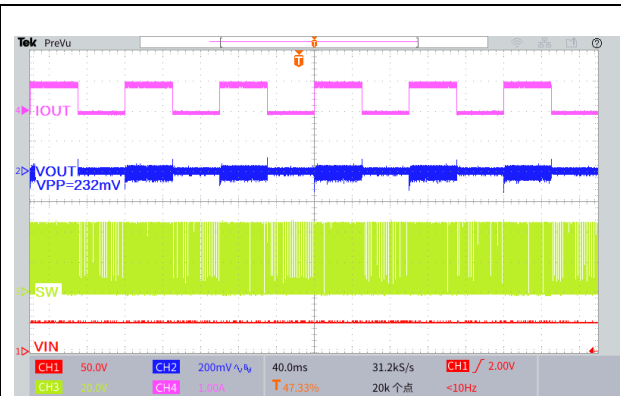


Figure33. Load Transient Response
($V_{IN}=48V$, $V_{OUT}=5.0V$, $I_{OUT}=0.1$ to $1A$)

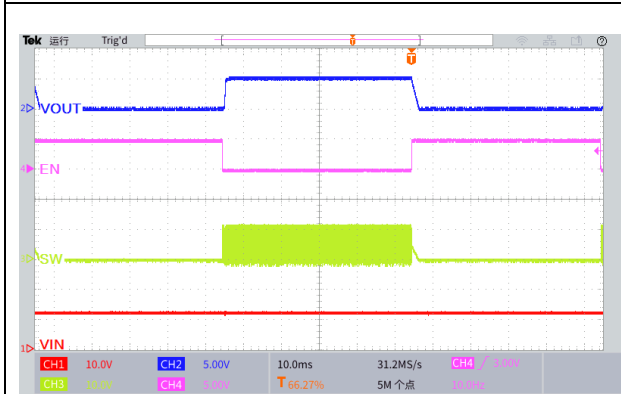


Figure34. Start or Shutdown Using EN Pin
($V_{IN}=12V$, $V_{OUT}=5.0V$, $I_{OUT}=0.5A$)

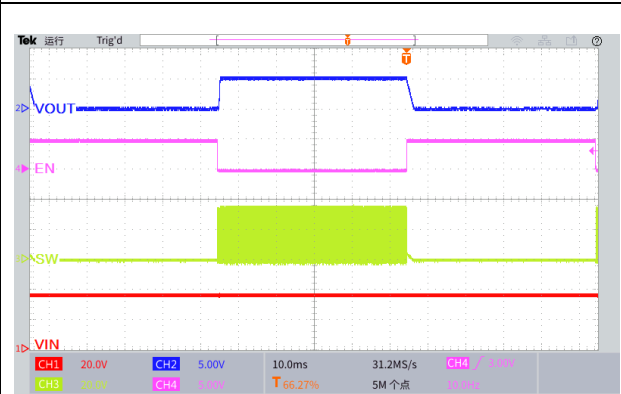


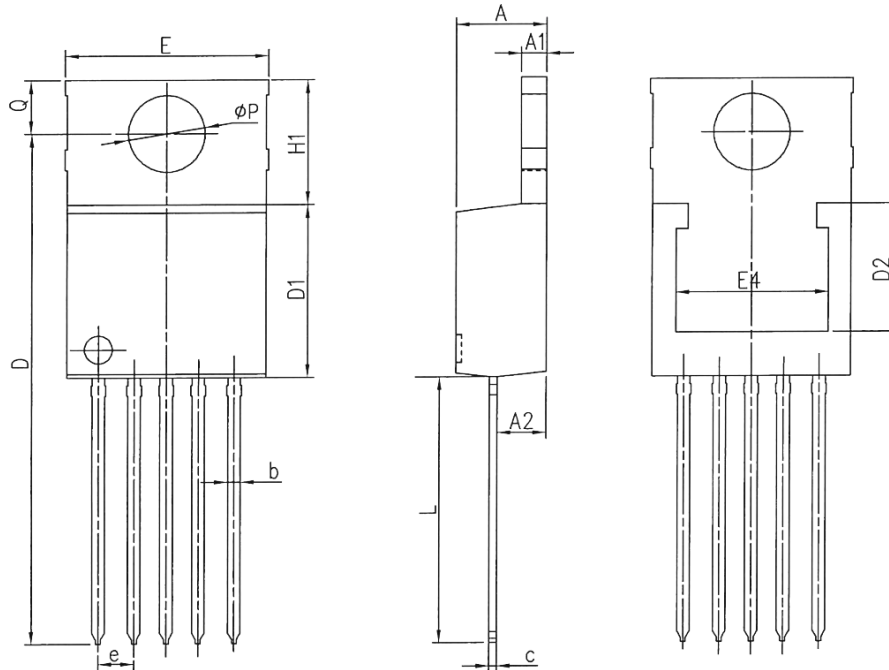
Figure35. Start or Shutdown Using EN Pin
($V_{IN}=36V$, $V_{OUT}=5.0V$, $I_{OUT}=0.5A$)

52KHz 60V 3A Buck DC to DC Converter

XL2576HVT

Package Information

TO220-5L



Symbol	Dimensions In Millimeters			Dimensions In Inches		
	Min.	Nom.	Max.	Min.	Nom.	Max.
A	4.37	4.57	4.77	0.172	0.180	0.188
A1	1.17	1.27	1.42	0.046	0.050	0.056
A2	2.47	2.67	2.87	0.097	0.105	0.113
b	0.76	0.89	1.02	0.030	0.035	0.040
c	0.33	0.38	0.64	0.013	0.015	0.025
D	25.65	26.00	26.35	1.009	1.023	1.037
D1	8.38	8.70	9.00	0.330	0.342	0.354
D2	5.50	5.84	6.14	0.216	0.230	0.242
E	9.86	10.26	10.39	0.388	0.404	0.409
E4	7.30	8.33	9.30	0.287	0.328	0.366
e	1.55	1.70	1.85	0.061	0.067	0.073
H1	6.10	6.35	6.60	0.240	0.250	0.260
L	13.34	13.74	14.10	0.525	0.541	0.555
ΦP	3.70	3.84	3.95	0.146	0.151	0.156
Q	2.54	2.75	3.05	0.100	0.108	0.120

52KHz 60V 3A Buck DC to DC Converter**XL2576HVT**

Important Notice

XLSEMI reserve the right to make modifications, enhancements, improvements, corrections or other changes without notice at any time. XLSEMI does not assume any liability arising out of the application or use of any product described herein; neither does it convey any license under its patent rights, nor the rights of others. XLSEMI assumes no liability for applications assistance or the design of Buyers' products. Buyers are responsible for their products and applications using XLSEMI components. To minimize the risks associated with Buyers' products and applications, Buyers should provide adequate design and operating safeguards. XLSEMI warrants performance of its products to the specifications applicable at the time of sale, in accordance with the warranty in XLSEMI's terms and conditions of sale of semiconductor products. Testing and other quality control techniques are used to the extent XLSEMI deems necessary to support this warranty. Except where mandated by applicable law, testing of all parameters of each component is not necessarily performed.

For the latest product information, go to www.xlsemi.com.