

### Features

- Wide 5V to 32V Input Voltage Range
- Output Adjustable from 0.8V to 30V
- Maximum Duty Cycle 100%
- Minimum Drop Out 0.6V
- Fixed 300KHz Switching Frequency
- 5A Constant Output Current Capability
- Internal Optimize Power MOSFET
- High efficiency
- Excellent line and load regulation
- TTL shutdown capability
- EN pin with hysteresis function
- Built in thermal shutdown function
- Built in current limit function
- Built in output short protection function
- Available in TO263-5L package

### Applications

- LCD Monitor and LCD TV
- Digital Photo Frame
- Set-up Box
- ADSL Modem
- Telecom / Networking Equipment

### General Description

The XL4005 is a 300KHz fixed frequency PWM buck (step-down) DC/DC converter, capable of driving a 5A load with high efficiency, low ripple and excellent line and load regulation. Requiring a minimum number of external components, the regulator is simple to use and include internal frequency compensation and a fixed-frequency oscillator.

The PWM control circuit is able to adjust the duty ratio linearly from 0 to 100%. An enable function, an over current protection function is built inside. When short protection function happens, the operation frequency will be reduced from 300KHz to 60KHz. An internal compensation block is built in to minimize external component count.

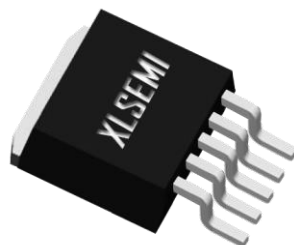


Figure1. Package Type of XL4005

## Pin Configurations

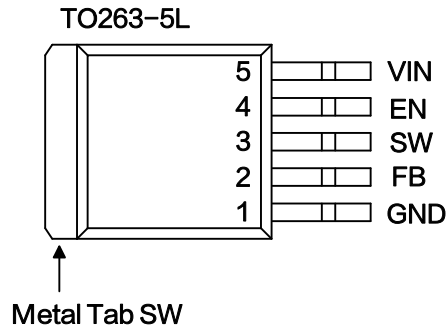


Figure2. Pin Configuration of XL4005 (Top View)

Table 1 Pin Description

Pin Number	Pin Name	Description
1	GND	Ground Pin. Care must be taken in layout. This pin should be placed outside of the Schottky Diode to output capacitor ground path to prevent switching current spikes from inducing voltage noise into XL4005.
2	FB	Feedback Pin (FB). Through an external resistor divider network, FB senses the output voltage and regulates it. The feedback threshold voltage is 0.8V.
3	SW	Power Switch Output Pin (SW). SW is the switch node that supplies power to the output.
4	EN	Enable Pin. Drive EN pin high to turn on the device, drive it low to turn it off.
5	VIN	Supply Voltage Input Pin. XL4005 operates from a 5V to 32V DC voltage. Bypass Vin to GND with a suitably large capacitor to eliminate noise on the input.

## 5A 300KHz 32V Buck DC to DC Converter

XL4005

### Function Block

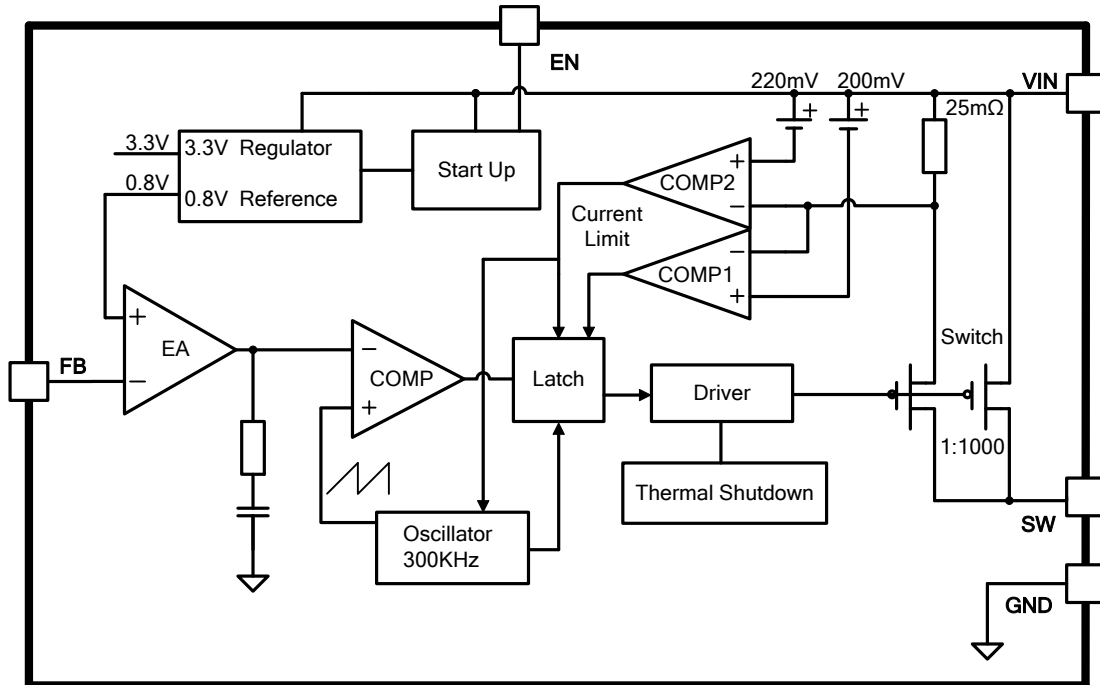


Figure3. Function Block Diagram of XL4005

### Typical Application Circuit

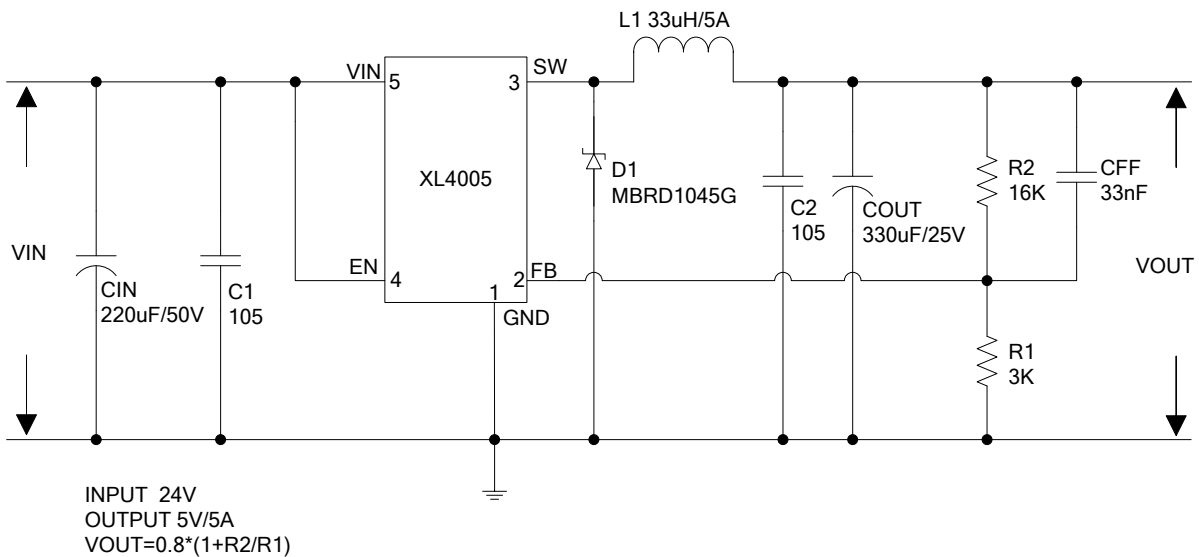


Figure4. XL4005 Typical Application Circuit (24V~5V/5A)

5A 300KHz 32V Buck DC to DC Converter

XL4005

## Ordering Information

Order Information	Marking ID	Package Type	Eco Plan	Packing Type Supplied As
XL4005E1	XL4005E1	TO263-5L	RoHS & HF	800 Units on Tape & Reel

## Absolute Maximum Ratings ( Note1 )

Parameter	Symbol	Value	Unit
Input Voltage	$V_{in}$	-0.3 to 35	V
Feedback Pin Voltage	$V_{FB}$	-0.3 to $V_{in}$	V
EN Pin Voltage	$V_{EN}$	-0.3 to $V_{in}$	V
Output Switch Pin Voltage	$V_{SW}$	-0.3 to $V_{in}$	V
Power Dissipation	$P_D$	Internally limited	mW
Thermal Resistance (TO263-5L) (Junction to Ambient, No Heatsink, Free Air)	$R_{JA}$	30	°C/W
Operating Junction Temperature	$T_J$	-40 to 125	°C
Storage Temperature	$T_{STG}$	-65 to 150	°C
Lead Temperature (Soldering, 10 sec)	$T_{LEAD}$	260	°C
ESD (HBM)		2000	V

**Note1:** Stresses greater than those listed under Maximum Ratings may cause permanent damage to the device. This is a stress rating only and functional operation of the device at these or any other conditions above those indicated in the operation is not implied. Exposure to absolute maximum rating conditions for extended periods may affect reliability.

## 5A 300KHz 32V Buck DC to DC Converter

XL4005

### XL4005 Electrical Characteristics

$T_a = 25^\circ\text{C}$ ; unless otherwise specified.

Symbol	Parameter	Test Condition	Min.	Typ.	Max.	Unit
<b>System parameters test circuit figure4</b>						
V <sub>FB</sub>	Feedback Voltage	V <sub>in</sub> = 5V to 32V, V <sub>out</sub> =5V I <sub>load</sub> =0.5A to 5A	0.776	0.8	0.824	V
$\eta$	Efficiency	V <sub>in</sub> =12V, V <sub>out</sub> =5V I <sub>out</sub> =5A	-	90	-	%

### Electrical Characteristics (DC Parameters)

V<sub>in</sub> = 12V, GND=0V, V<sub>in</sub> & GND parallel connect a 220uf/50V capacitor; I<sub>out</sub>=500mA,  $T_a = 25^\circ\text{C}$ ; the others floating unless otherwise specified.

Parameters	Symbol	Test Condition	Min.	Typ.	Max.	Unit
Input operation voltage	V <sub>in</sub>		5		32	V
Shutdown Supply Current	I <sub>s</sub>	V <sub>EN</sub> =0V		60	200	uA
Quiescent Supply Current	I <sub>q</sub>	V <sub>EN</sub> =2V, V <sub>FB</sub> =V <sub>in</sub>		3	5	mA
Oscillator Frequency	F <sub>osc</sub>		240	300	360	Khz
Switch Current Limit	I <sub>L</sub>	V <sub>FB</sub> =0V		8		A
EN Pin Threshold	V <sub>EN</sub>	High (Regulator ON) Low (Regulator OFF)		1.4 0.8		V
EN Pin Input Leakage Current	I <sub>H</sub>	V <sub>EN</sub> =2V (ON)		1	15	uA
	I <sub>L</sub>	V <sub>EN</sub> =0V (OFF)		1	15	uA
Max. Duty Cycle	D <sub>MAX</sub>	V <sub>FB</sub> =0V		100		%

### Test Circuit and Layout guidelines

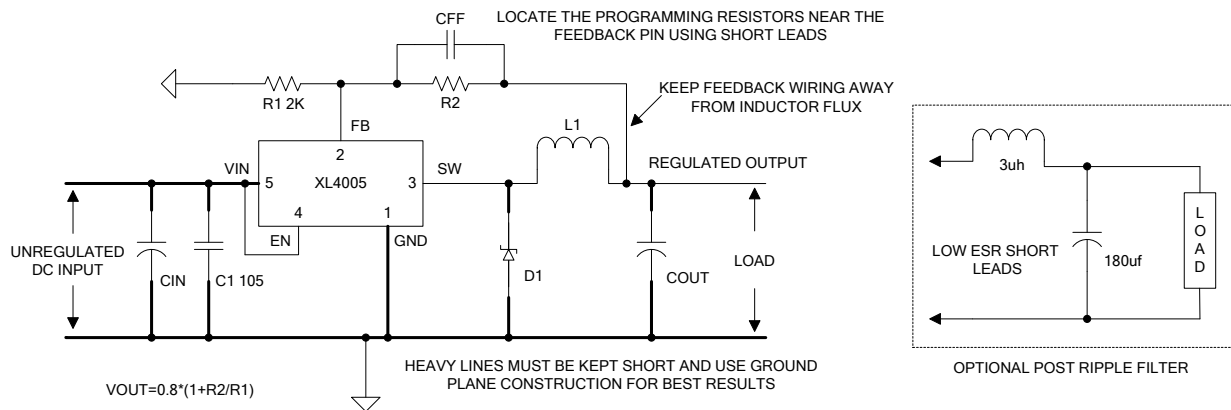


Figure5. Standard Test Circuits and Layout Guides

Select R1 to be approximately 2K, use a 1% resistor for best stability.

C1 and CFF are optional; in order to increase stability and reduce the input power line noise, C1 must be placed near to VIN and GND;

For output voltages greater than approximately 10V, an additional capacitor CFF is required. The compensation capacitor is typically between 100 pf and 33 nf, and is wired in parallel with the output voltage setting resistor, R2. It provides additional stability for high output voltage, low input-output voltages, and/or very low ESR output capacitors, such as solid tantalum capacitors.

$CFF = 1 / (31 * 1000 * R2)$ ; This capacitor type can be ceramic, plastic, silver mica, etc. (Because of the unstable characteristics of ceramic capacitors made with Z5U material, they are not recommended.)

## 5A 300KHz 32V Buck DC to DC Converter

XL4005

### Typical System Application for 24V ~ 12V/4A

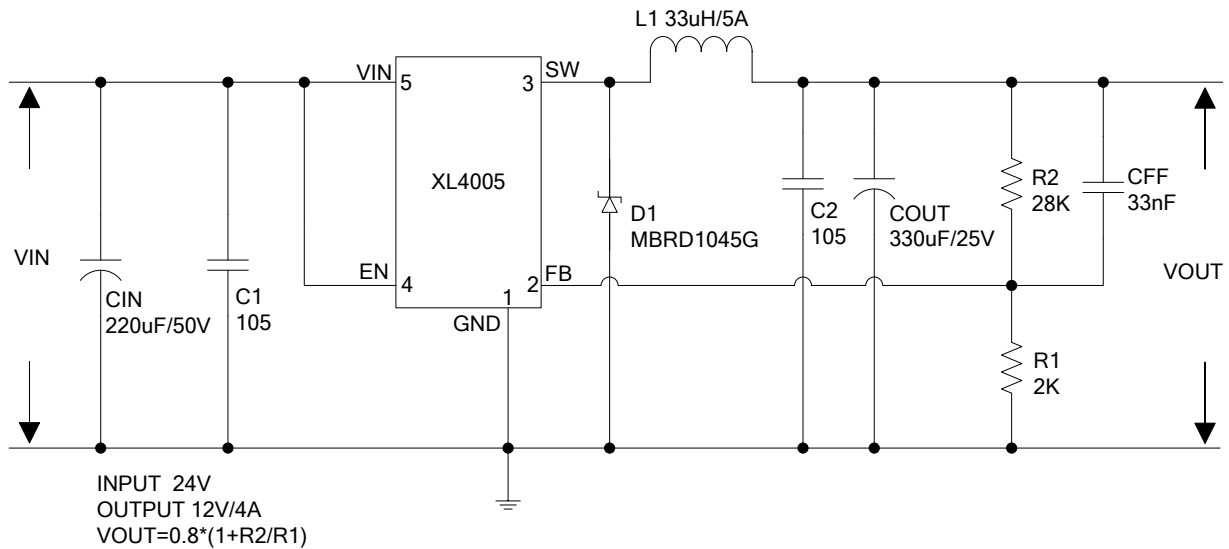


Figure6. XL4005 System Parameters Test Circuit (24V ~ 12V/4A)

### Typical System Application for 24V ~ 5V/5A

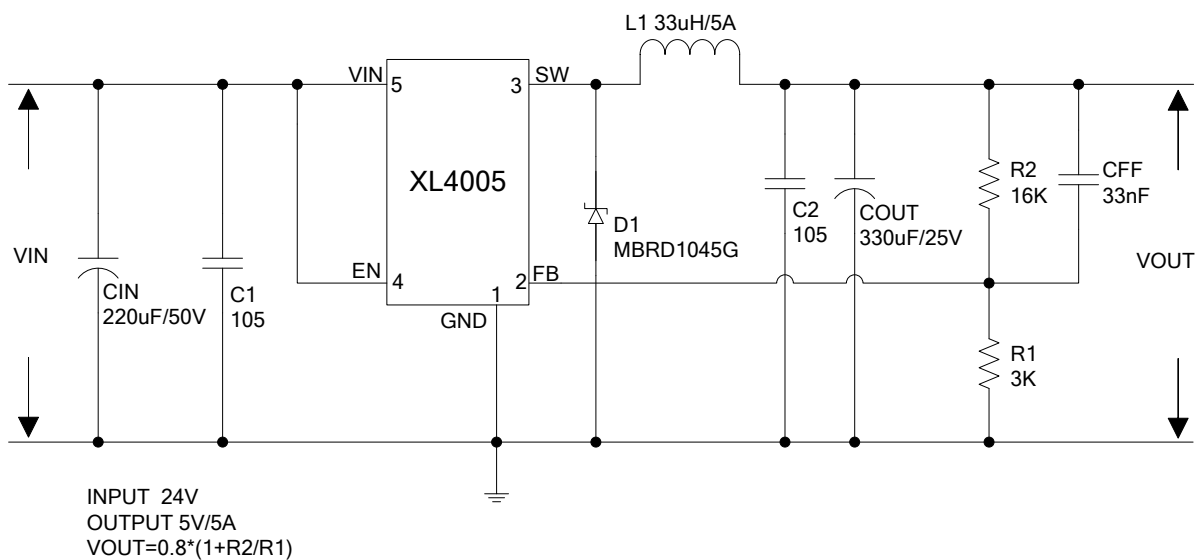


Figure7. XL4005 System Parameters Test Circuit (24V ~ 5V/5A)

### Typical System Application for 24V ~ 20V/5A

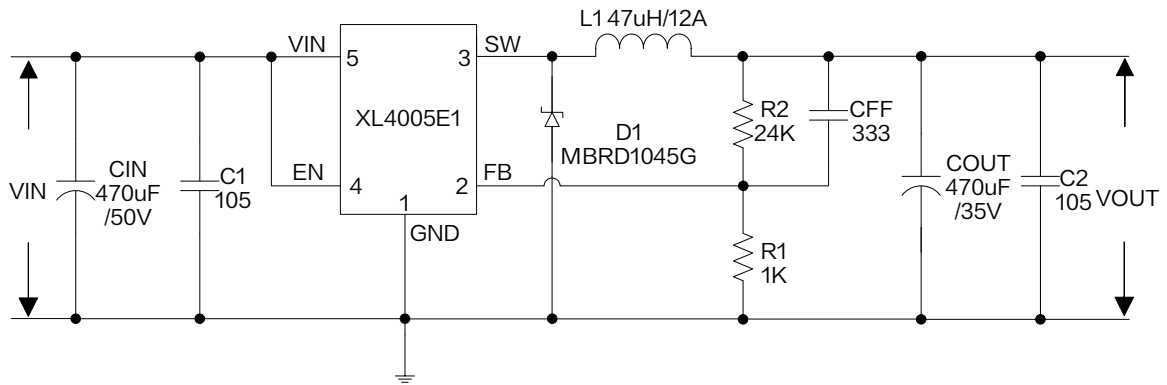
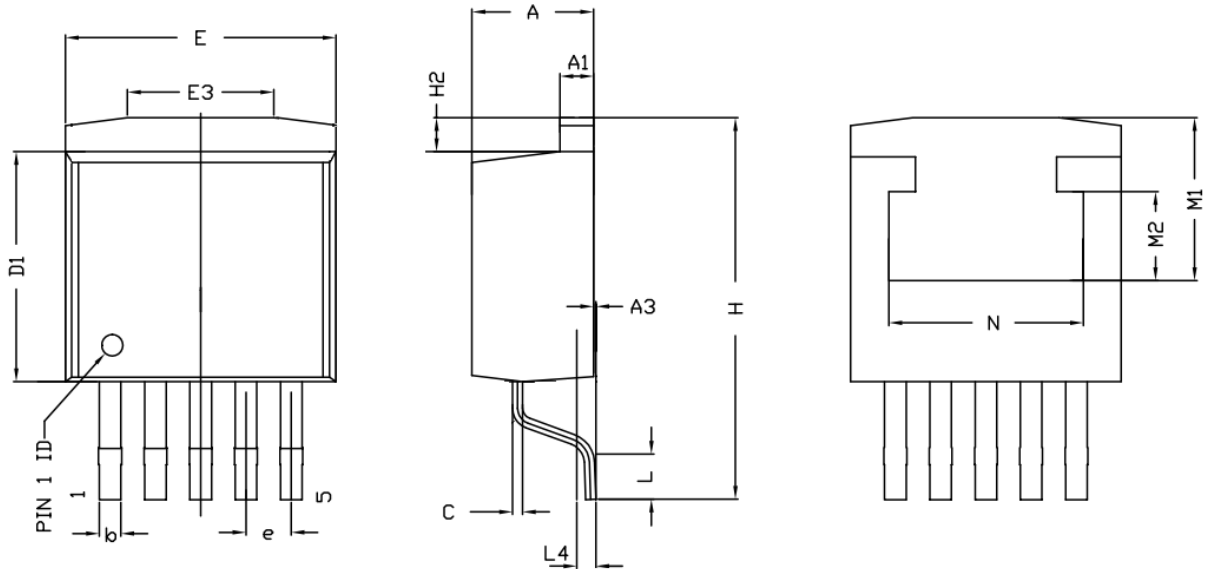


Figure8. XL4005 System Parameters Test Circuit (24V ~ 20V/5A)



## Package Information

### TO263-5L



Symbol	Dimensions In Millimeters			Dimensions In Inches		
	Min.	Nom.	Max.	Min.	Nom.	Max.
A	4.45	4.60	4.70	0.175	0.181	0.185
A1	1.22	1.27	1.32	0.048	0.050	0.052
A3	0.00	-	0.15	0.000	-	0.006
b	0.71	-	0.97	0.028	-	0.038
c	0.38	-	0.76	0.015	-	0.030
D1	8.38	8.70	9.00	0.330	0.343	0.354
E	9.91	10.16	10.39	0.390	0.400	0.410
E3	5.00	6.50	8.00	0.197	0.256	0.315
e	1.70 REF.			0.067 REF.		
H	-	-	14.35	-	-	0.565
H2	0.90	1.27	1.42	0.035	0.050	0.056
L	-	1.98	-	-	0.078	-
L4	-	0.76	-	-	0.030	-
M1	-	6.12	-	-	0.241	-
M2	-	3.35	-	-	0.132	-
N	-	7.30	-	-	0.287	-

---

**5A 300KHz 32V Buck DC to DC Converter****XL4005**

---

**Important Notice**

XLSEMI reserve the right to make modifications, enhancements, improvements, corrections or other changes without notice at any time. XLSEMI does not assume any liability arising out of the application or use of any product described herein; neither does it convey any license under its patent rights, nor the rights of others. XLSEMI assumes no liability for applications assistance or the design of Buyers' products. Buyers are responsible for their products and applications using XLSEMI components. To minimize the risks associated with Buyers' products and applications, Buyers should provide adequate design and operating safeguards. XLSEMI warrants performance of its products to the specifications applicable at the time of sale, in accordance with the warranty in XLSEMI's terms and conditions of sale of semiconductor products. Testing and other quality control techniques are used to the extent XLSEMI deems necessary to support this warranty. Except where mandated by applicable law, testing of all parameters of each component is not necessarily performed.

For the latest product information, go to [www.xlsemi.com](http://www.xlsemi.com).