

0.6A 120KHz 80V Synchronous Buck DC to DC Converter

XL9711

Features

- Operation Voltage: 5V~72V
- Minimum Drop Out: 1.5V
- Feedback Voltage Accuracy $\pm 2\%$
- Fixed 120KHz Switching Frequency
- 0.6A Constant Output Current Capability
- Internal Optimize Power MOSFET
- High efficiency up to 93%
- Max. Output power up to 5W
- Excellent line and load regulation
- Built in thermal shutdown function
- Built in current limit protection function
- Built in output short protection function
- Device HBM ESD Classification Level Class3B
- Available in SOP8 package

General Description

The XL9711 is a 120KHz fixed frequency PWM synchronous buck DC/DC converter, capable of driving a 0.6A load with high voltage, high efficiency, low ripple and excellent line and load regulation. XL9711 supports wide input operating voltage range of 5V~72V and a maximum duty cycle of 90% output. A built-in loop compensation module reduces components in the system, lowering power system cost and reducing printed circuit board space.

The XL9711 has built-in thermal shutdown, current limit protection and output short protection function and so on. When the output short protection function happens, the operation frequency will be reduced about from 120KHz to 30KHz.

Applications

- Automotive Electronics
- Industrial Control
- Networking Equipment
- Internet of Things

Typical application schematic

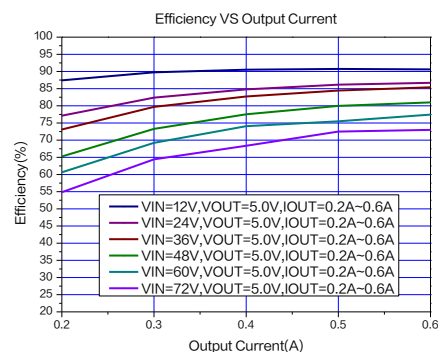
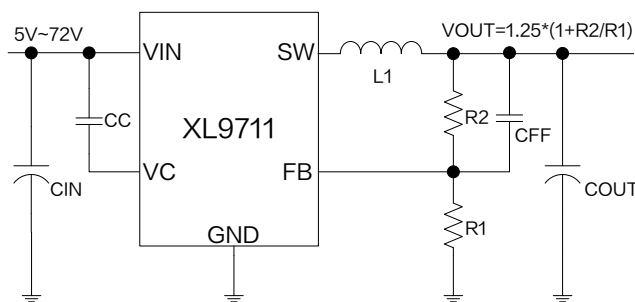


Figure1. XL9711 Typical application schematic and efficiency curve

Pin Configurations

FB	1	8	GND
NC	2	7	GND
VC	3	6	SW
VIN	4	5	SW

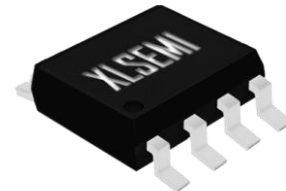


Figure2. Pin Configuration of XL9711

Table 1 Pin Description

Pin Number	Pin Name	Description
1	FB	Feedback Pin (FB). Through an external resistor divider network, Feedback senses the output voltage and regulates it. The feedback threshold voltage is 1.25V.
2	NC	Not connected.
3	VC	Internal Voltage Regulator Bypass Capacity. In typical system application, The VC pin connect a 1uF capacitor to VIN.
4	VIN	Supply Voltage Input Pin. XL9711 operates from 5V to 72V DC voltage. Bypass Vin to GND with a suitably large capacitor to eliminate noise on the input.
5,6	SW	Power Switch Output Pin (SW). Output is the switch node that supplies power to the output.
7,8	GND	Ground Pin.

Ordering Information

Order Information	Marking ID	Package Type	Eco Plan	Packing Type Supplied As
XL9711	XL9711	SOP8	RoHS & HF	4000 Units on Reel

Function Block

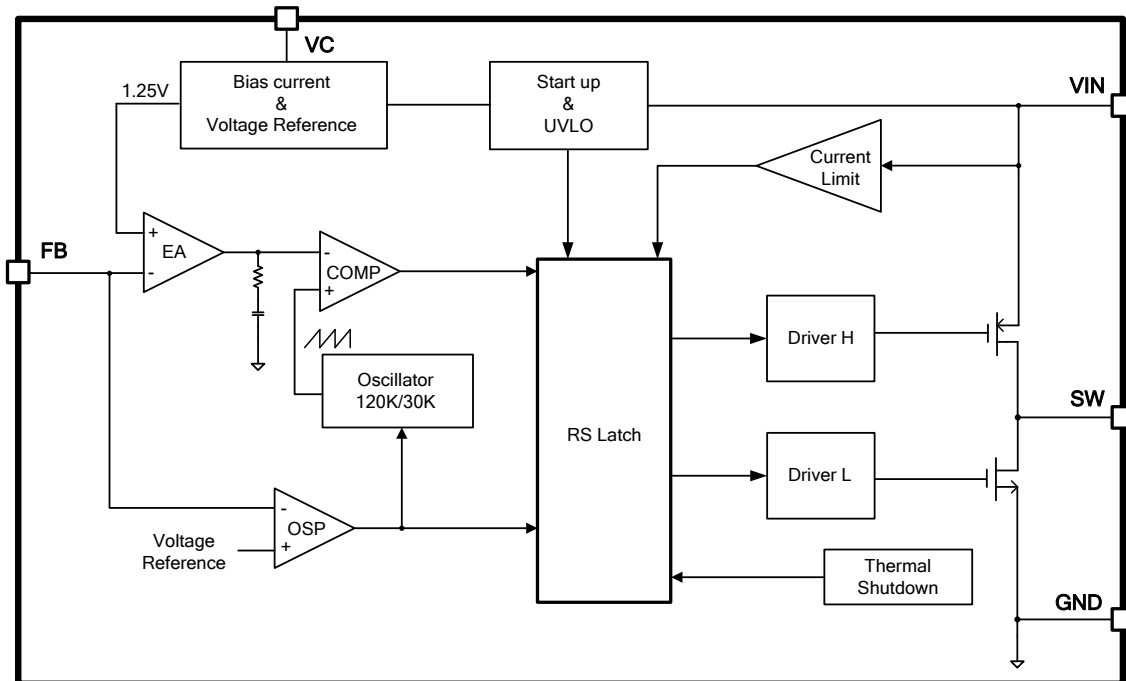


Figure3. Function Block Diagram of XL9711

Absolute Maximum Ratings (Note1)

Parameter	Symbol	Value	Unit
Input Voltage	V_{IN}	-0.3~80	V
EN Pin Voltage	V_{EN}	-0.3~7	V
Feedback Pin Voltage	V_{FB}	-0.3~7	V
Output Switch Pin Voltage	V_{SW}	-0.3~ V_{IN}	V
VC Pin Voltage	V_C	-0.3~ V_{IN}	V
Power Dissipation	P_D	Internally limited	mW
Thermal Resistance (SOP8) (Junction to Ambient, No Heatsink, Free Air)	R_{JA}	100	°C/W
Operating Junction Temperature	T_J	-40~125	°C
Storage Temperature	T_{STG}	-65~150	°C
Lead Temperature (Soldering, 10 sec)	T_{LEAD}	260	°C
ESD (HBM)		>8000	V

Note1: Stresses greater than those listed under Maximum Ratings may cause permanent damage to the device. This is a stress rating only and functional operation of the device at these or any other conditions above those indicated in the operation is not implied. Exposure to absolute maximum rating conditions for extended periods may affect reliability.

0.6A 120KHz 80V Synchronous Buck DC to DC Converter

XL9711

XL9711 Electrical Characteristics

$T_A = 25^\circ\text{C}$; system parameters test circuit figure6, unless otherwise specified.

Symbol	Parameter	Test Condition	Min.	Typ.	Max.	Unit
V_{FB}	Feedback Voltage	$V_{IN}=12\text{V}, V_{OUT}=5.0\text{V}$ $I_{OUT}=0.5\text{A}$	1.225	1.25	1.275	V
η	Efficiency	$V_{IN}=12\text{V}, V_{OUT}=5.0\text{V}$ $I_{OUT}=0.6\text{A}$	-	90.6	-	%
η	Efficiency	$V_{IN}=12\text{V}, V_{OUT}=15\text{V}$ $I_{OUT}=0.3\text{A}$	-	92.8	-	%

Electrical Characteristics (DC Parameters)

$T_A=25^\circ\text{C}, V_{IN}=12\text{V}, V_{EN}=0\text{V}$; system parameters test circuit figure6, unless otherwise specified.

Parameters	Symbol	Test Condition	Min.	Typ.	Max.	Unit
Input operation voltage	V_{IN}		5		72	V
Quiescent Supply Current	I_Q	$V_{FB}=2\text{V}$		3.5	5	mA
Oscillator Frequency	F_{OSC}		102	120	138	KHz
Switch Current Limit	I_L	$V_{FB}=0\text{V}$		0.8		A
High side MOS On-resistance	$R_{DS(ON)H}$			270		$\text{m}\Omega$
Low side MOS On-resistance	$R_{DS(ON)L}$			255		$\text{m}\Omega$
Thermal Shutdown Temperature	T_{SD}			140		$^\circ\text{C}$
Thermal Shutdown Hysteresis	T_D			60		$^\circ\text{C}$
Max. Duty Cycle	D_{MAX}	$V_{FB}=0\text{V}$		90		%

Typical System Application Schematic ($V_{OUT}=3.3V, I_{OUT}=0\sim 0.6A$)

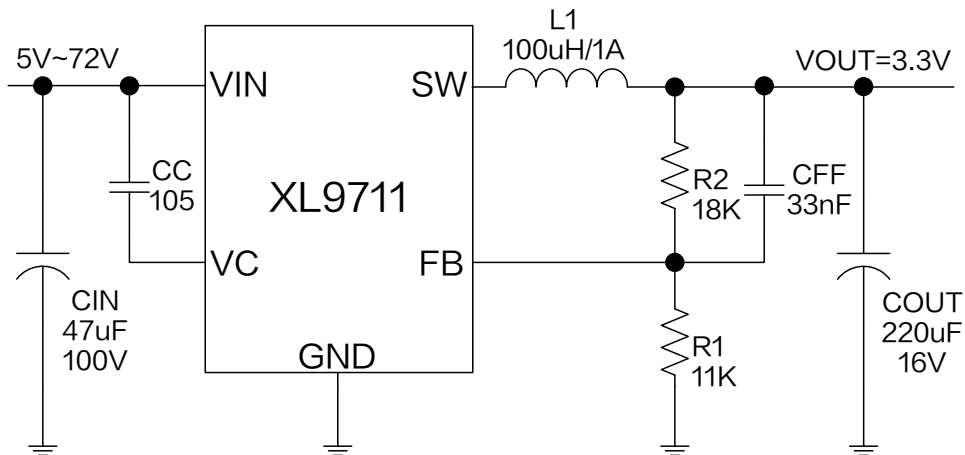


Figure4. XL9711 System Application ($V_{IN}=5V\sim 72V, V_{OUT}=3.3V, I_{OUT}=0\sim 0.6A$)

Typical System Application Transfer Efficiency

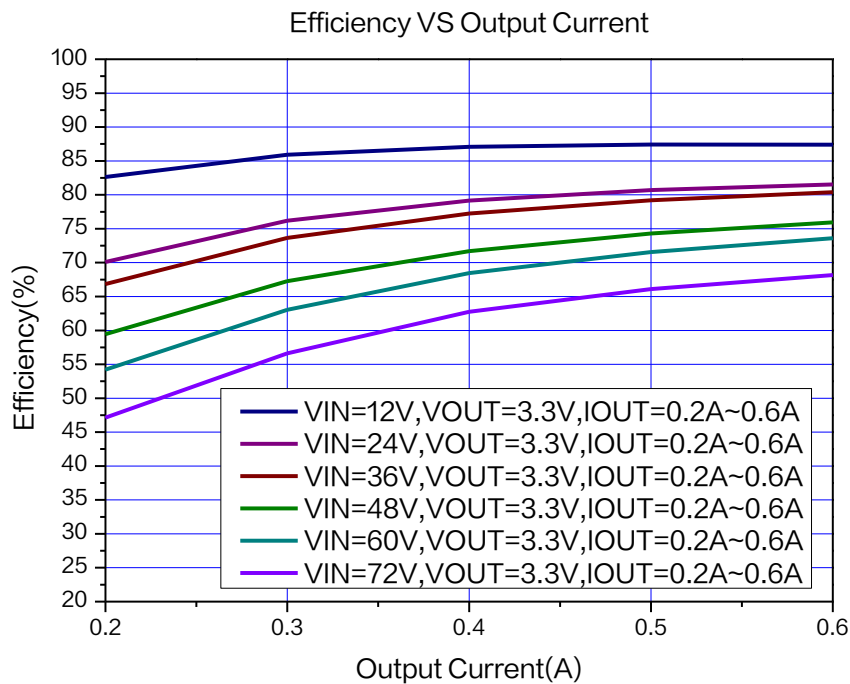


Figure5. XL9711 System Efficiency Curve ($V_{OUT}=3.3V$)

Typical System Application Schematic ($V_{OUT}=5.0V$, $I_{OUT}=0\sim 0.6A$)

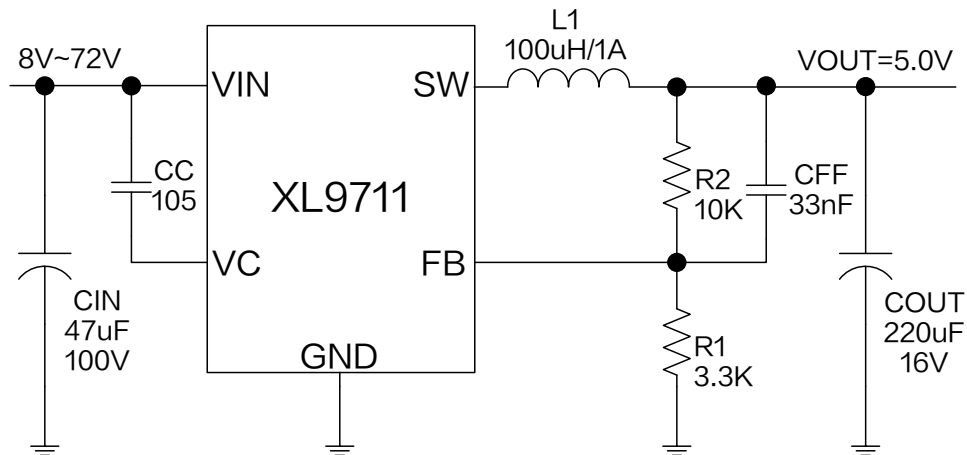


Figure6. XL9711 System Application ($V_{IN}=8V\sim 72V$, $V_{OUT}=5.0V$, $I_{OUT}=0\sim 0.6A$)

Typical System Application Transfer Efficiency

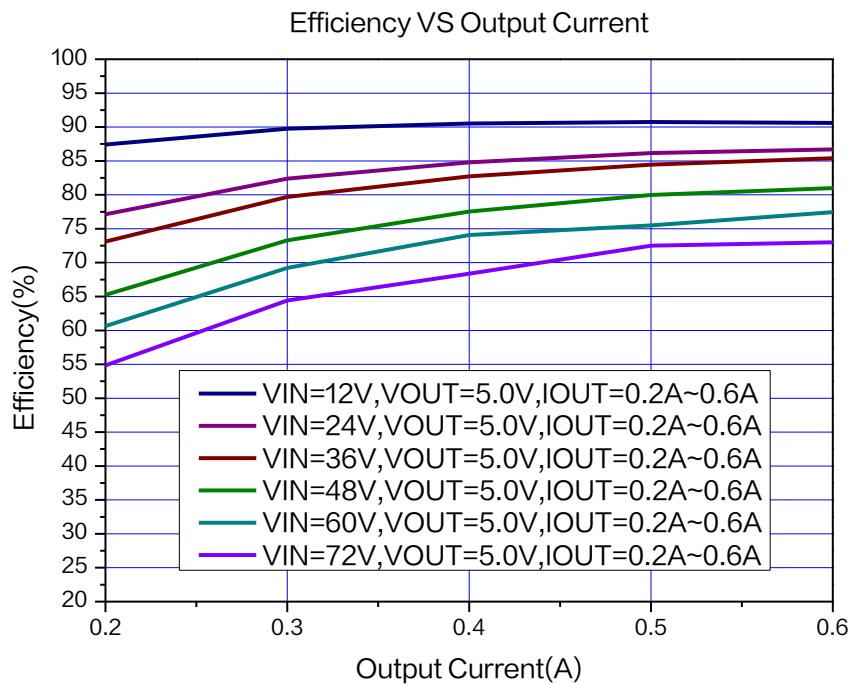


Figure7. XL9711 System Efficiency Curve ($V_{OUT}=5.0V$)

Typical Characteristics

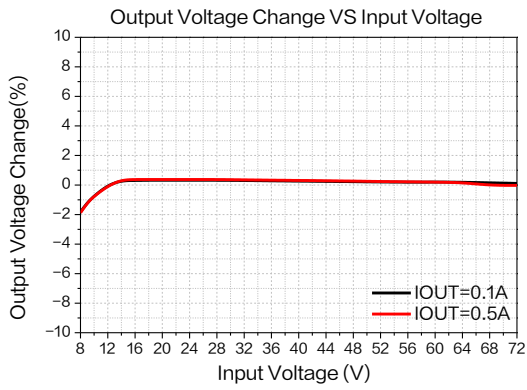


Figure 8.Line Regulation

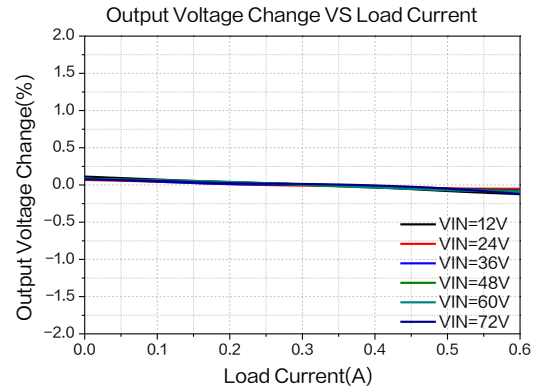


Figure 9.Load Regulation

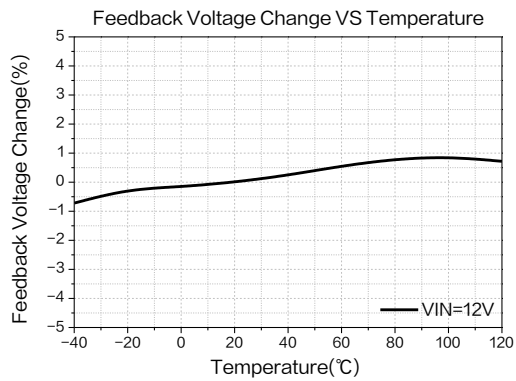


Figure 10.Feedback Voltage Regulation

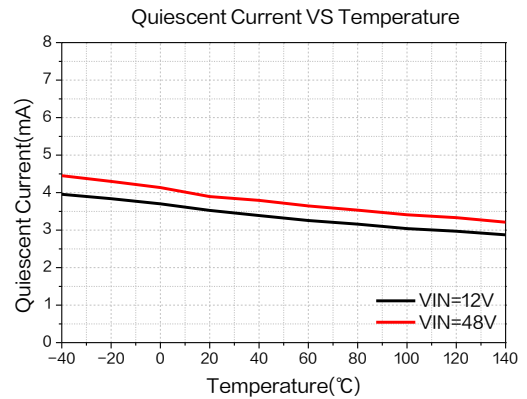


Figure 11.Quiescent Current

0.6A 120KHz 80V Synchronous Buck DC to DC Converter

XL9711

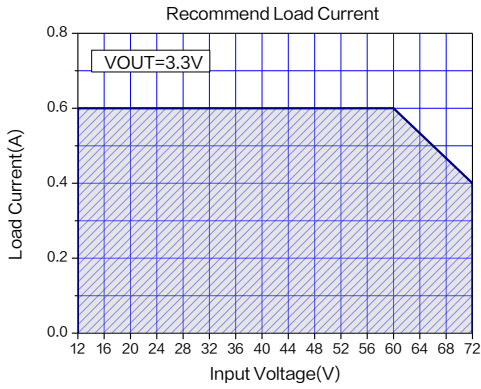


Figure 12.Max Output Current
(V_{OUT}=3.3V, T_A=25°C)

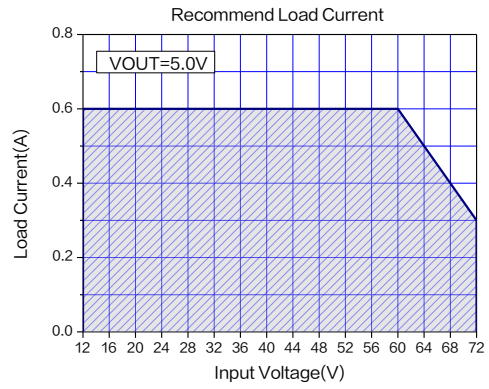


Figure 13.Max Output Current
(V_{OUT}=5.0V, T_A=25°C)

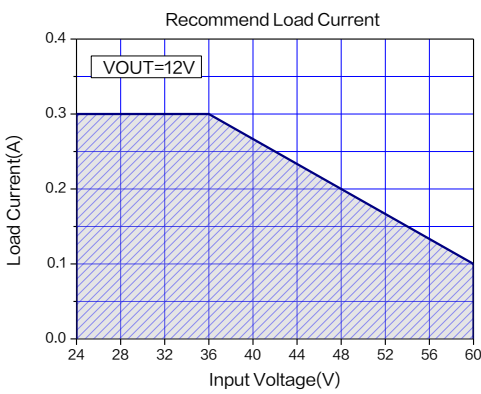


Figure 14.Max Output Current
(V_{OUT}=12V, T_A=25°C)

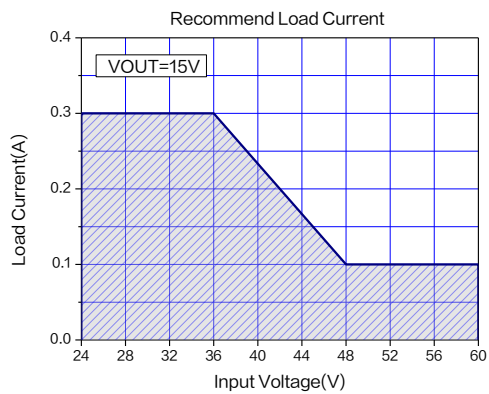


Figure 15.Max Output Current
(V_{OUT}=15V, T_A=25°C)

0.6A 120KHz 80V Synchronous Buck DC to DC Converter

XL9711

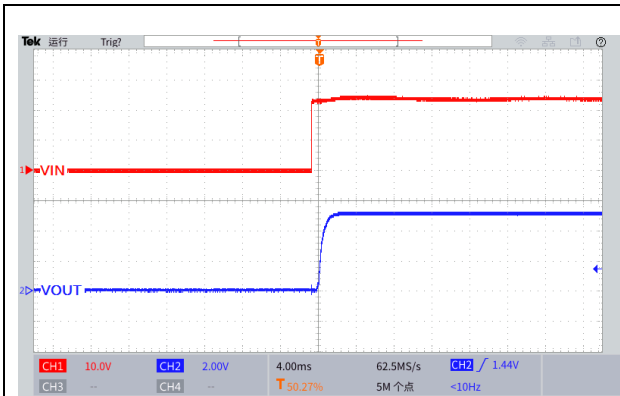


Figure 16. Start-Up Characteristic
($V_{IN}=24V$, $V_{OUT}=5.0V$, $I_{OUT}=0.1A$)

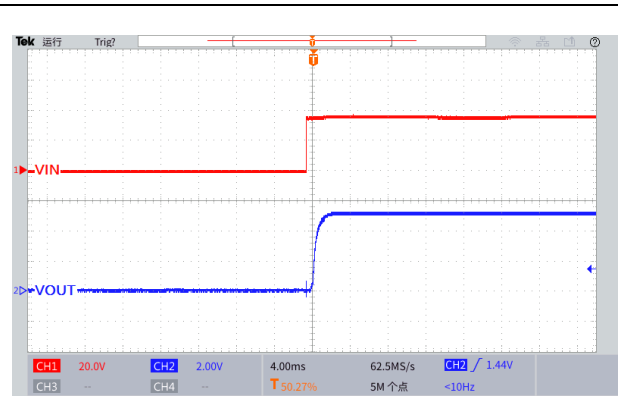


Figure 17. Start-Up Characteristic
($V_{IN}=36V$, $V_{OUT}=5.0V$, $I_{OUT}=0.1A$)

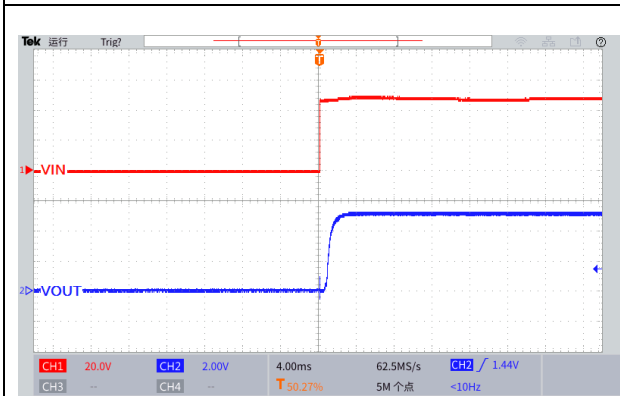


Figure 18. Start-Up Characteristic
($V_{IN}=48V$, $V_{OUT}=5.0V$, $I_{OUT}=0.1A$)

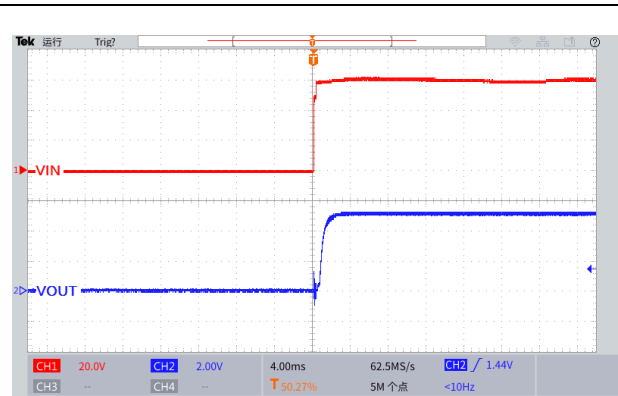


Figure 19. Start-Up Characteristic
($V_{IN}=60V$, $V_{OUT}=5.0V$, $I_{OUT}=0.1A$)

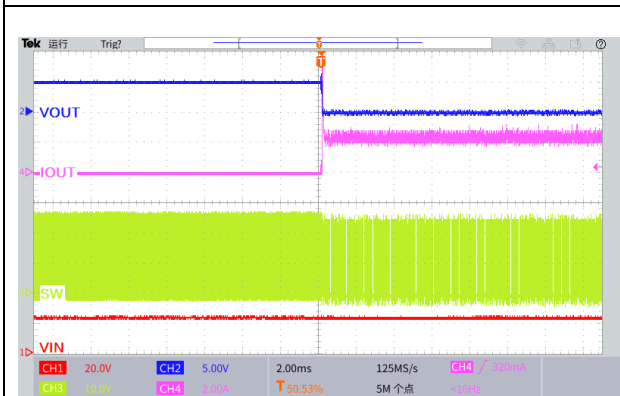


Figure 20. Output Short Circuit Waveform
($V_{IN}=24V$, $V_{OUT}=5.0V$)

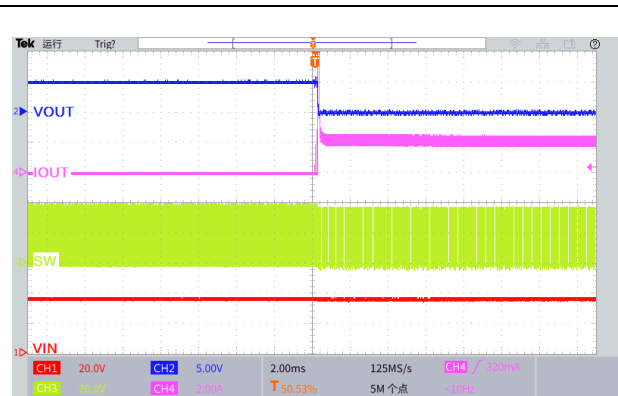


Figure 21. Output Short Circuit Waveform
($V_{IN}=36V$, $V_{OUT}=5.0V$)

0.6A 120KHz 80V Synchronous Buck DC to DC Converter

XL9711

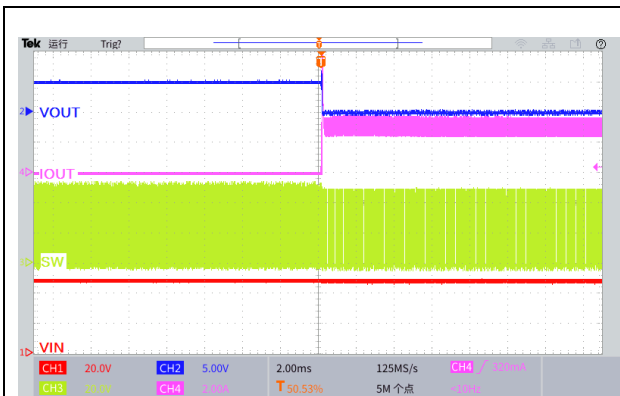


Figure 22. Output Short Circuit Waveform
($V_{IN}=48V$, $V_{OUT}=5.0V$)

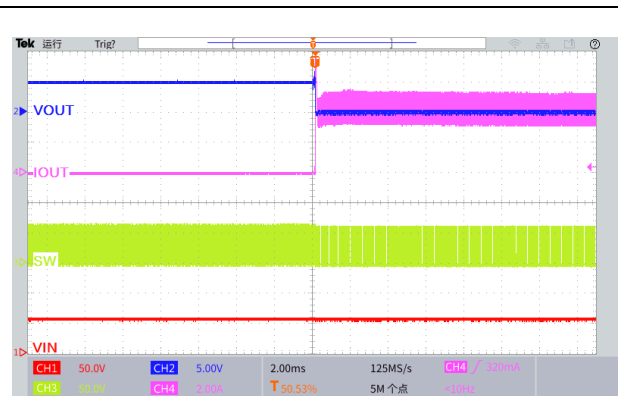


Figure 23. Output Short Circuit Waveform
($V_{IN}=60V$, $V_{OUT}=5.0V$)

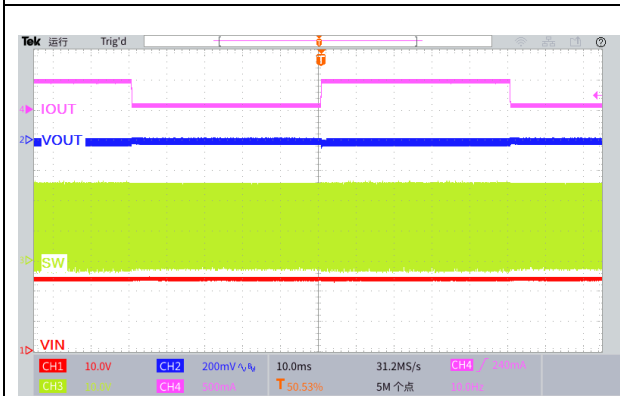


Figure 24. Load Transient Response
($V_{IN}=24V$, $V_{OUT}=5.0V$, $I_{OUT}=0.1$ to $0.5A$)

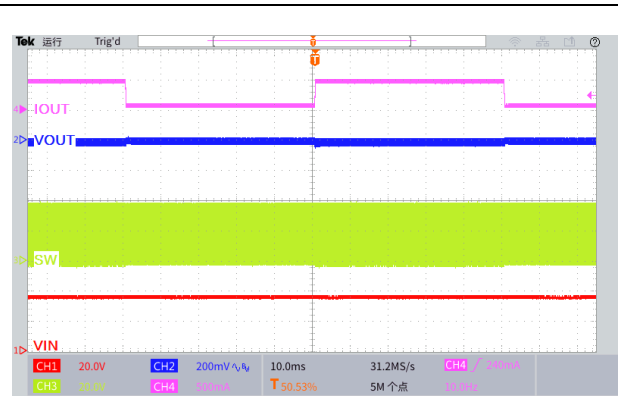


Figure 25. Load Transient Response
($V_{IN}=36V$, $V_{OUT}=5.0V$, $I_{OUT}=0.1$ to $0.5A$)

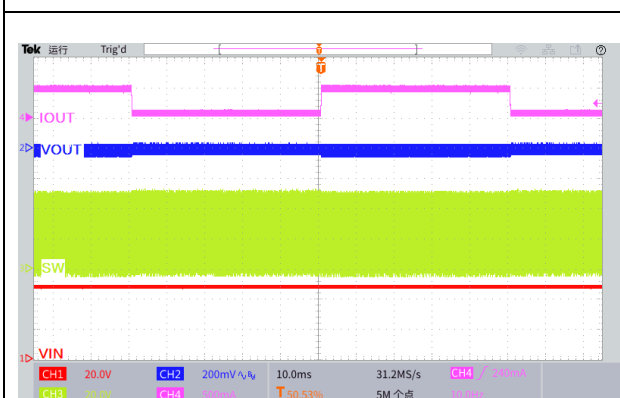


Figure 26. Load Transient Response
($V_{IN}=48V$, $V_{OUT}=5.0V$, $I_{OUT}=0.1$ to $0.5A$)

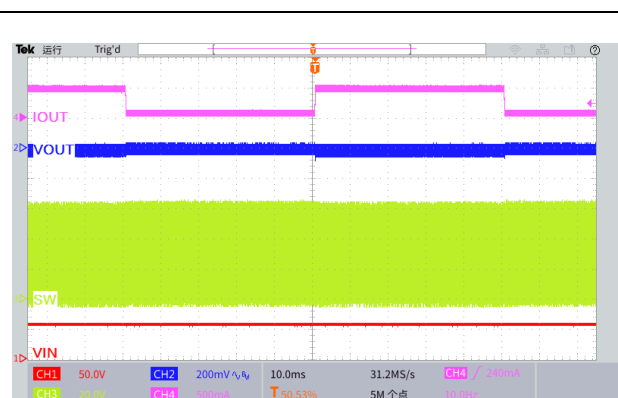
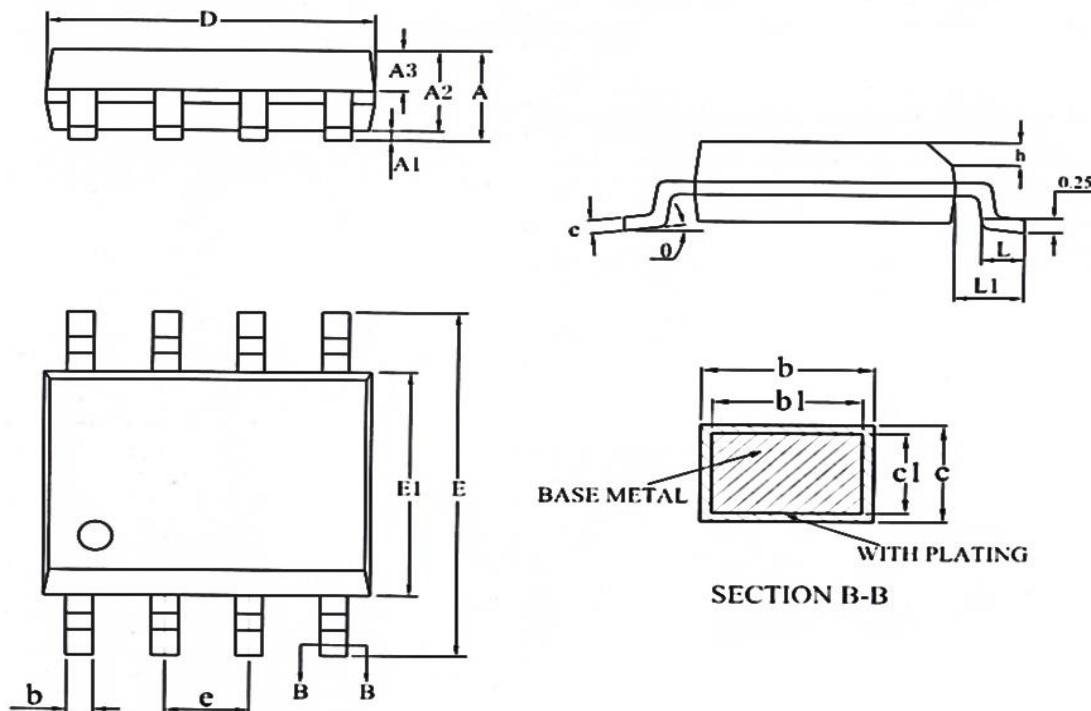


Figure 27. Load Transient Response
($V_{IN}=60V$, $V_{OUT}=5.0V$, $I_{OUT}=0.1$ to $0.5A$)

Package Information

SOP8



Symbol	Dimensions In Millimeters			Dimensions In Inches		
	Min.	Nom.	Max.	Min.	Nom.	Max.
A	1.35	1.55	1.75	0.053	0.061	0.069
A1	0.05	-	0.25	0.002	-	0.010
A2	1.25	1.40	1.65	0.049	0.055	0.065
A3	0.50	0.60	0.70	0.019	0.024	0.028
b	0.30	-	0.51	0.012	-	0.020
b1	0.29	0.41	0.48	0.011	0.016	0.018
c	0.17	-	0.25	0.007	-	0.010
c1	0.17	0.20	0.23	0.007	0.008	0.009
D	4.70	4.90	5.10	0.185	0.193	0.200
E	5.80	6.00	6.20	0.228	0.236	0.244
E1	3.80	3.90	4.00	0.150	0.154	0.157
e	1.14	1.27	1.40	0.045	0.050	0.055
h	0.25	-	0.50	0.010	-	0.020
L	0.45	-	0.80	0.017	-	0.031
L1	0.82	1.03	1.23	0.032	0.040	0.048
θ	0	-	8°	0	-	8°

0.6A 120KHz 80V Synchronous Buck DC to DC Converter**XL9711**

Important Notice

XLSEMI reserve the right to make modifications, enhancements, improvements, corrections or other changes without notice at any time. XLSEMI does not assume any liability arising out of the application or use of any product described herein; neither does it convey any license under its patent rights, nor the rights of others. XLSEMI assumes no liability for applications assistance or the design of Buyers' products. Buyers are responsible for their products and applications using XLSEMI components. To minimize the risks associated with Buyers' products and applications, Buyers should provide adequate design and operating safeguards. XLSEMI warrants performance of its products to the specifications applicable at the time of sale, in accordance with the warranty in XLSEMI's terms and conditions of sale of semiconductor products. Testing and other quality control techniques are used to the extent XLSEMI deems necessary to support this warranty. Except where mandated by applicable law, testing of all parameters of each component is not necessarily performed.

For the latest product information, go to www.xlsemi.com.